

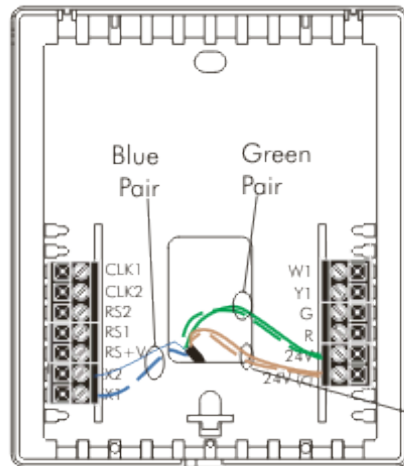
# NetworkThermostat Communications Wiring Using Home-Run (Star) Configuration

THERMOSTAT #1

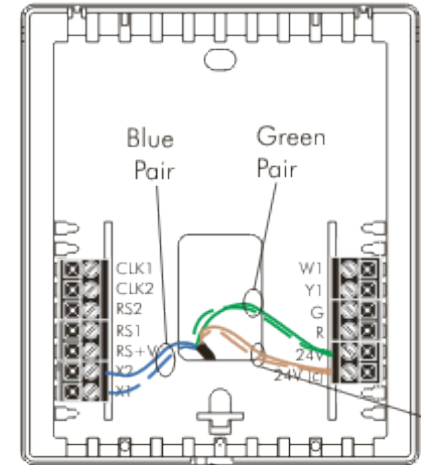
2.....3.....4.....5.....

THERMOSTAT #6

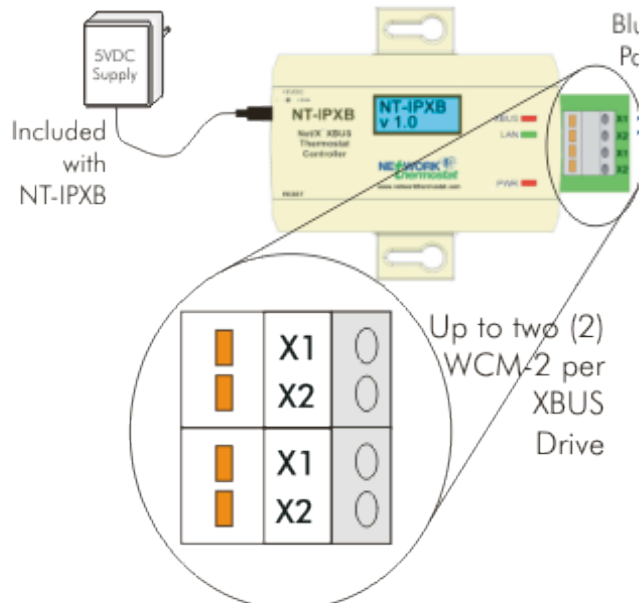
7.....8



Note:  
When powering thermostats over the communications cable, the yellow jumper on the back of the thermostat MUST be removed



Brown Pair



CAT5

Brown Pair

Blue Pair

Blue Pair  
Green Pair

CAT5

Blue Pair

Terminal Board Connections:

- 1) Connect only to same terminations; all X1s together, all X2s together, etc.
- 2) DO NOT reverse connections on power; 24VAC must ALWAYS connect to 24VAC; 24VAC(c) must ALWAYS connect to 24VAC(c)



NT-TB45 or NT-TBC

One (1) NT-PWR24 transformer will power up to eight(8) NetworkThermostats



Green Pair

Brown Pair