



X5-CFA

- Full Color Touchscreen
- Standard (Gas/Electric) up to 2H/2C
- Heat Pump (Standard or Dual Fuel) up to 3H/2C
- Humidity Sensing
- Drop-In Replacement for US32-CFA
- Up to 11 Sensors via Advanced Sensor Bus
- Integrated NetX™ XBus Communications

GENERAL DESCRIPTION:

Complete Stand-Alone Solution

The X5-CFA is a communicating setback color touchscreen thermostat designed for new or replacement commercial applications. Our integrated logic for both conventional and heat pump applications may be configured for up to three (3) stages of heating and two (2) stages of cooling with an advanced remote sensor bus. The X5-CFA is a direct replacement for the US32-CFA thermostat.

The X5-CFA is designed to operate as a stand-alone unit or be controlled using any NetX™ network controller and the NetX™ PCConnect Command Center software. For maximum security, the X5-CFA may be controlled and operate behind your firewall. For ultimate control over energy usage, the X5-CFA offers a digital lockout that permits limited temperature overrides. The advanced remote sensor bus allows up to 6 indoor remote sensors, humidity sensor, outdoor sensor, and up to 3 auxiliary sensors for needs such as supply air, return air, water temperature, walk-in freezers and refrigerators, and any other temperature monitoring desired.

STANDARD FEATURES:

Energy Savings

- Efficient Equipment Restart™ randomizes equipment starts to minimize multiple units turning on simultaneously when there are multiple NetX thermostats at the location
- Random Restart on power up staggers restart of HVAC system after a power outage to minimize peak in-rush current

Monitoring

- 11 Remote Sensors: up to 6 indoor, 1 humidity, 1 outdoor, and up to 3 auxiliary sensors for monitoring items such as supply air, return air, walk-in refrigerators and freezers, etc.
- 2 Digital Inputs for Fault Conditions, including Condensate and Equipment Faults

Connectivity

- PCConnect™ Software for Local Internal Network and Port Forwarded Access
- Integrated NetX™ API

Facility Management

- Commercial Lockout with Programmable Temporary Override Time and Temperature Range Adjustment
- 2 Occupied (Day-Cool & Day-Heat) and 2 Unoccupied (Night-Cool & Night-Heat) Setpoints

General

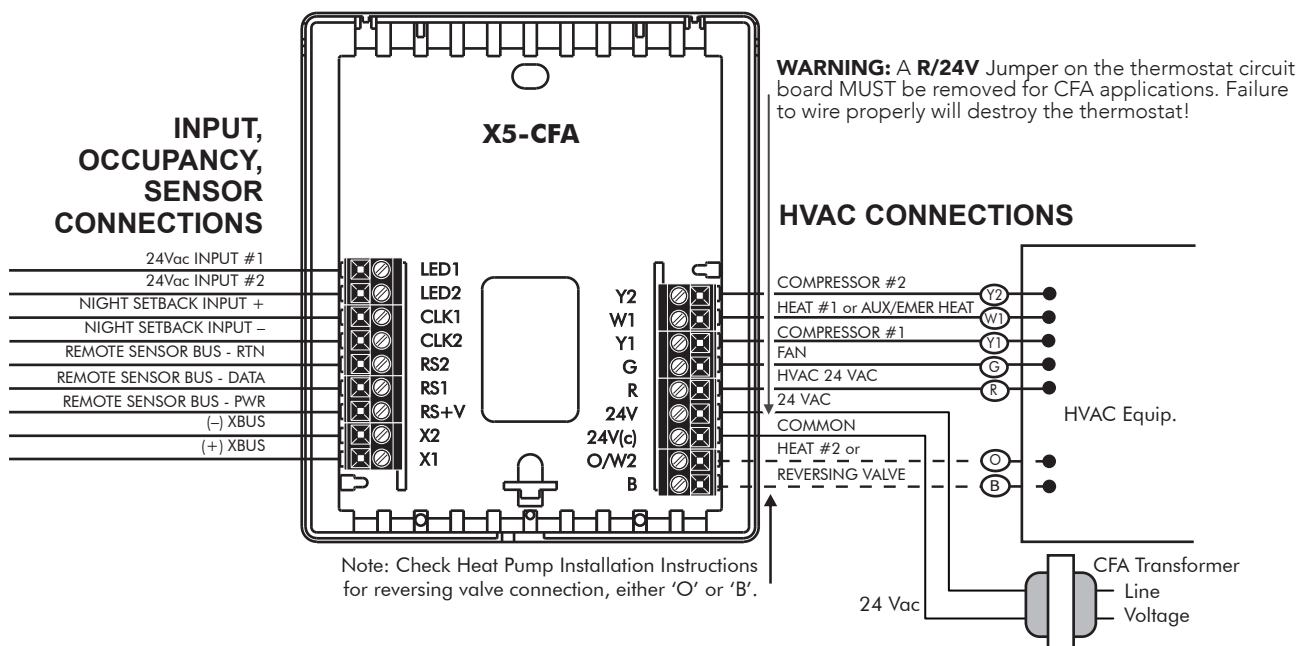
- Color Selectable Touchscreen Display with White Case
- Modes: Heat, Cool, Auto, and Off
- Integrated Humidity Sensor



SPECIFICATIONS:

Rated Voltage:	20V to 30VAC, 24VAC nominal
Rated A.C. / D.C. Current:	0.05 to 0.75 AC / 0.0 to 0.75 DC Amp continuous, per output, surges to 3 Amps maximum
Temperature Control Range:	Heating: 38°F to 88°F (4°C to 31°C) in 1° steps Cooling: 60°F to 108°F (16°C to 42°C) in 1° steps
Thermostat Sensing Range:	32°F to 118°F (0°C to 48°C) Control Accuracy: ±1°F @ 68°F (±0.5°C @ 20°C)
Minimum Deadband:	2°F (1°C)
Dimensions:	5.1"H x 4.7"W x 1.15"D (130mm x 119mm x 29mm)
Equipment Terminations:	R - 24V switching voltage, W1 - Heat1 or Aux/Emer Heat, G - Fan, Y1 - Compressor1, Y2 - Compressor2, O/W2 - Heat2 or Rev. Valve in Cooling, B - Rev. Valve in Heating
Power Terminations:	24V - remote power (not used), 24V(c) - power common (from HVAC equipment)
Input Terminations:	LED1 (Filter Icon Selectable), LED2 (Fault Icon Selectable)
Occupancy Terminations:	CLK1 (+), CLK2 (-)
Remote Sensor Terminations:	RS+V - Power, RS2 - Return, RS1 - Data
Communications Terminations:	X1 - Xbus (+), X2 - Xbus (-)

WIRING DIAGRAMS:



OUTPUT TERMINAL FUNCTIONS

LED1 24Vac Input #1 for Filter or other Alert	Y2 Energizes compressor for second stage cooling, or for heat pumps, either second stage heating or cooling
LED2 24Vac Input #2 for Condensate, Fault or other Alert	W1 Energizes heater for first stage heating, or for heat pumps, auxiliary/emergency heat
CLK1 Dry contact closure input for setback	Y1 Energizes compressor for first stage cooling, or for heat pumps, either first stage heating or cooling
CLK2 Dry contact closure input for setback	G Energizes fan circuit with a call for heating or cooling
RS2 Remote Sensor Bus (Power Return)	R Independent Switching Voltage from HVAC equip
RS1 Remote Sensor Bus (Data)	24V 24Vac – Connect to CFA Transformer
RS+V Remote Sensor Bus (Power)	24V(c) 24Vac Common – Connect to CFA Transformer
X2 Communications bus (-)	O/W2 Energizes heater for second stage heating, or for heat pumps, energizes the reversing valve in cooling mode
X1 Communications bus (+)	B Energizes the reversing valve in heating mode