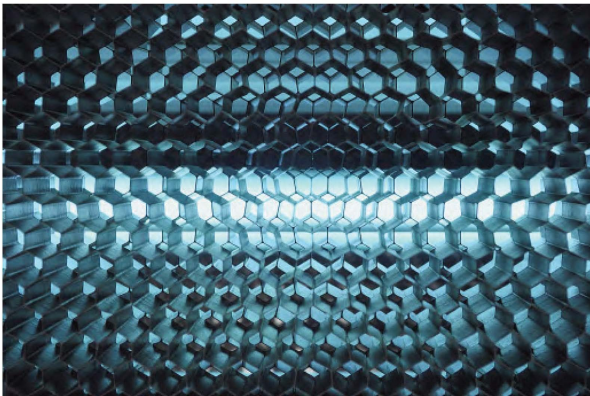


# UV-FLOW

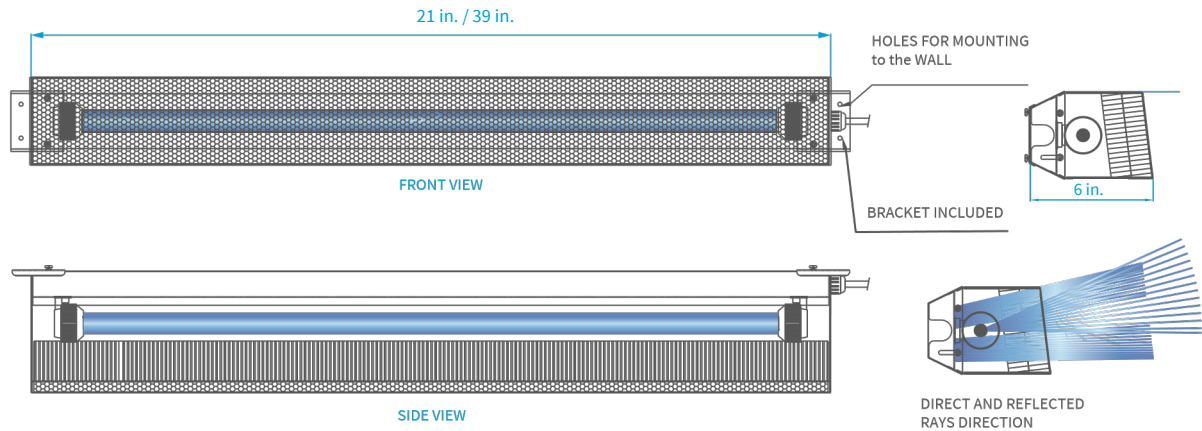
## Upper-Air UV Disinfection



UV-FLOW has a stainless steel structure and is equipped with directional black honeycomb filter providing a safe disinfection for the room occupants as well as a helpful way to keep the lamps less dusty. Pointing it towards the ceiling achieves a permanent disinfection of the environmental air, which circulates naturally inside the spaces, following normal convective motions.



## TECHNICAL DRAWINGS -



## INSTALLATION -

Decide the type of orientation to be given to the air flow: horizontal flow or vertical downward flow

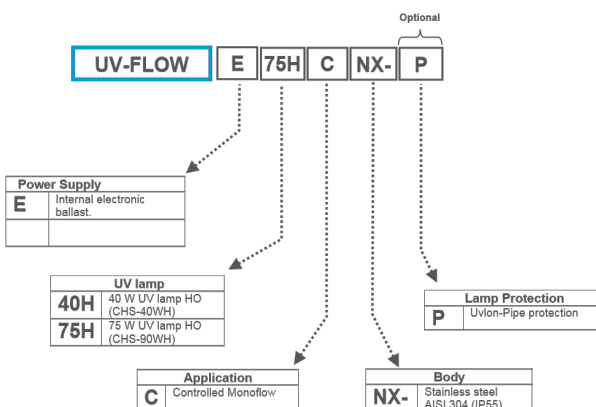
### HORIZONTAL FLOW:

The installation must be made by placing the brackets at 7'3" above the floor. In this way the flow will be slightly upwards, which makes possible the continuous disinfection of the air circulating within the room, because of the natural convective motions.

### VERTICAL FLOW:

The device must be placed above the doors of the controlled contamination room (clean room), with air flow directed downwards. Use the two supplied stainless steel brackets, anchoring them to the wall with expansion bolts (8 - 10 mm.) or with self-tapping screws. This arrangement generates a vertical air flow which produces barrier against germs. For proper use you should create a decontamination area between two rooms, to be kept under microbiological and hygienic control.

## CODES -



## SPECIFICATIONS -

UV-FLOW	E40H-C-NX	E75H-C-NX
<b>LAMP LIFETIME (hour)*</b>	≤ 18.000	≤ 18.000
<b>CONSUMPTION (Watts)</b>	40	75
<b>EXTERNAL DIMENSIONS LxWxH (in)</b>	21 x 6 x 4.3	39 x 6 x 4.3
<b>WEIGHT (lbs)</b>	4.5	8.8
<b>TREATED AIR (Volume) (ft3)</b>	700 - 1400	1400 - 2300
<b>PROTECTION RATING</b>	IP 55	IP 55