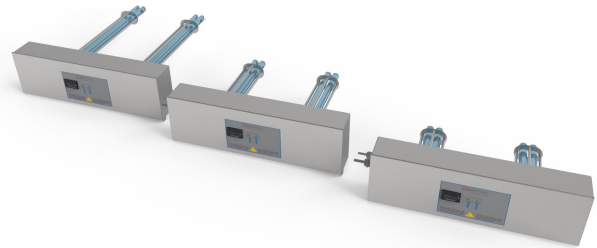
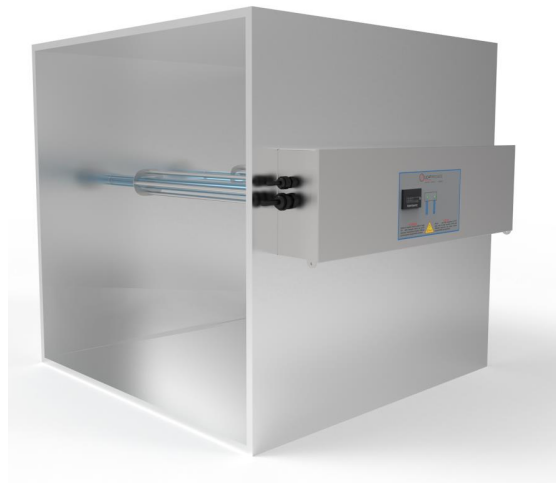


Germicidal UV-C Disinfection for HVAC Duct Integration

Key Features:

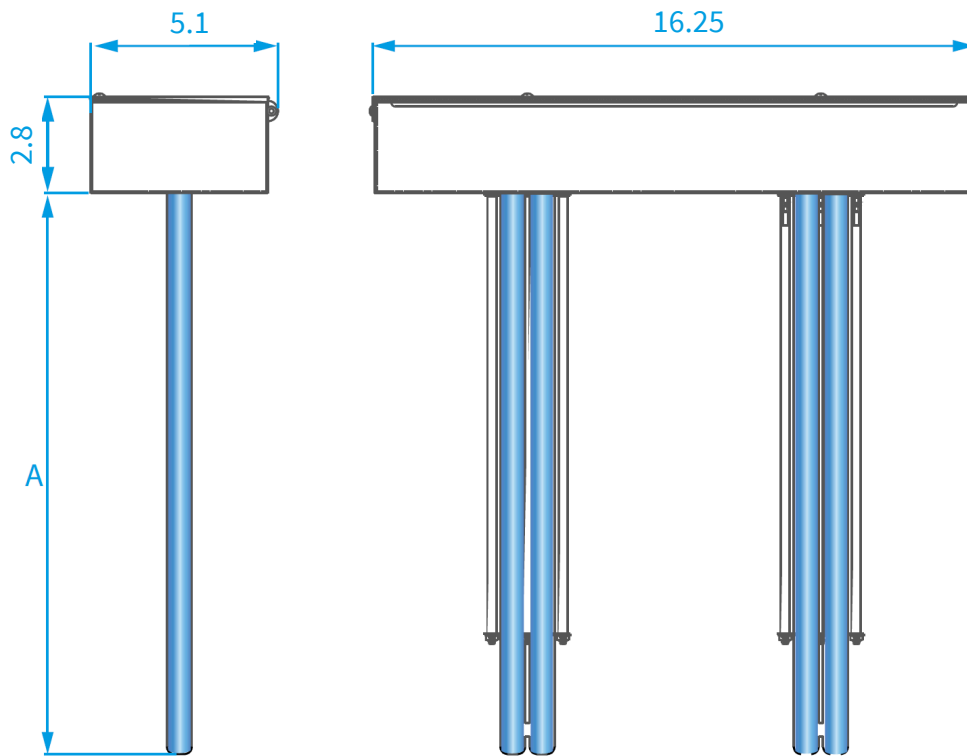
- Optimized for retrofit applications
- Selective UV-C Light Progress lamps (emission peak at 253.7 nm.) high efficiency, ozone free, pure quartz
- Body in stainless steel AISI 304
- All materials used are tested for resistance to intense UV-C rays
- Powered by electronic ballasts specific for Light Progress UV-C lamps
- Powered by 110 or 240V
- Hour Counter and LED Alarms (optional)
- CE mark (LVD - EMC - MD - RoHS)
- Complies with the noise standards of Directive 2006/42/EC
- Values measured according to UNI EN ISO 3746
- Non-detectable and non-transmissible vibration values
- Suitable for class 1 installations - protected areas



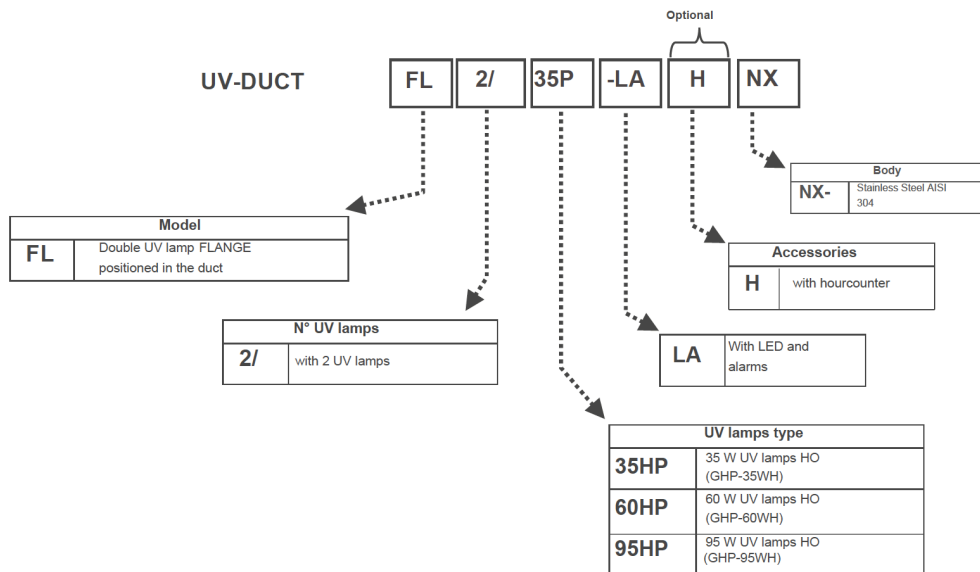
Specifications:

UV-DUCT-FL	2/35HP	2/60HP	2/95HP
Average Lamp Lifetime (hrs)	≤ 18,000	≤ 18,000	≤ 18,000
Consumption (W)	70	120	190
Dimensions L x W x H (in.)	16.25 x 5.1 x 2.8	16.25 x 5.1 x 2.8	16.25 x 5.1 x 2.8
Lamp Length – “A” (in.)	8	15	20
Weight (lbs)	5.3	5.7	5.9
Air Flow (CFM)	470 - 1,180	755 – 2,000	1,300 – 3,300

Technical Drawings



Codes



Installation

Use the provided template to make two holes with a hole saw on the duct you want to treat and insert the device within the holes. If installing more than one device, distribute them along the channel to create a uniform irradiation and avoid shadows. Installation procedures:

- 1) Place the device/s downstream from the air conditioning system.
- 2) Make the two holes on the duct's wall using the drilling template provided.
- 3) Open the case and fix the device on the duct with 4 tapping screws through the holes on the base.